

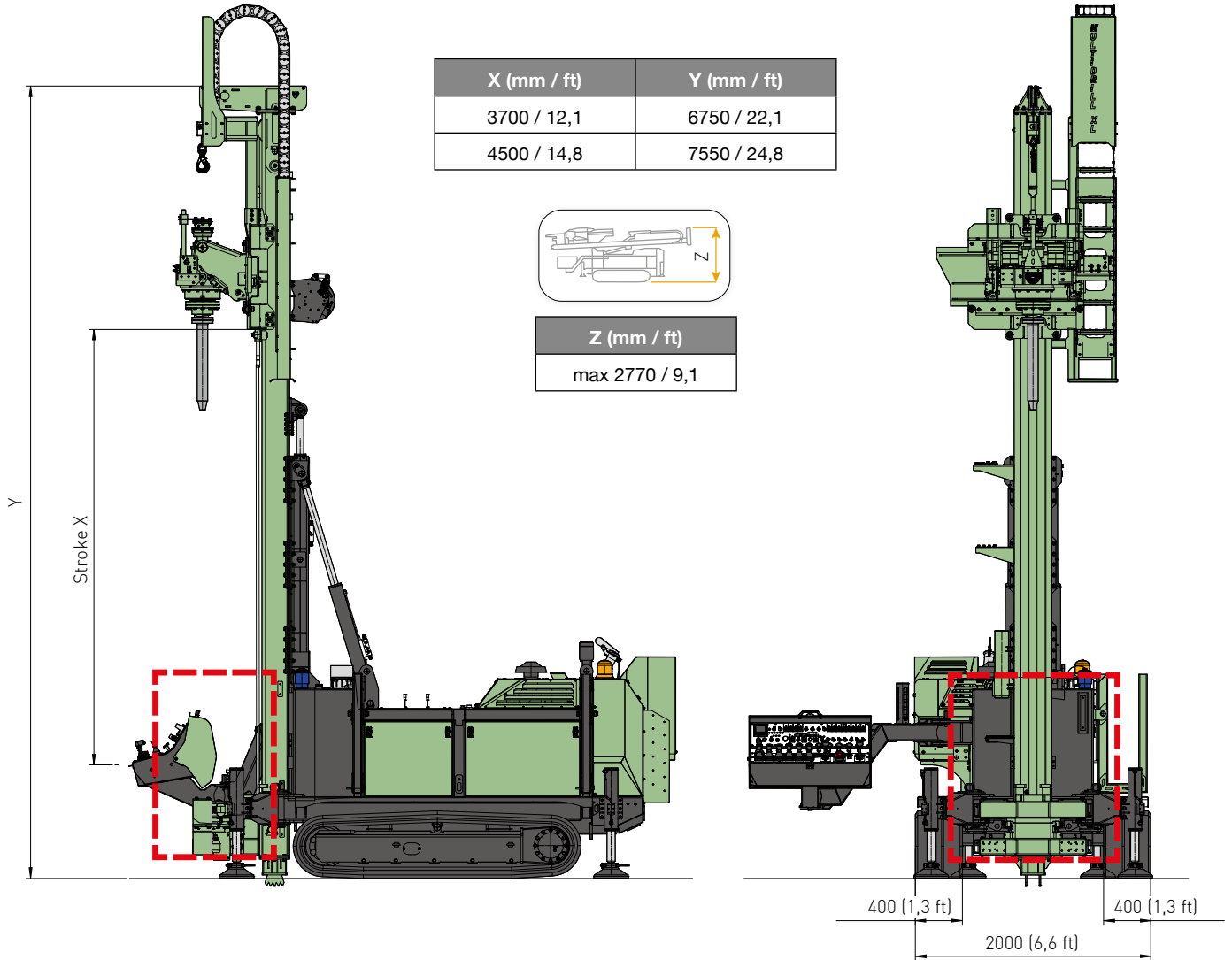
MULTIDRILL XL 140



ITALIAN DRILLING RIGS
MANUFACTURERS SINCE 1964



Dimensions



I dati esposti sul presente catalogo possono variare senza preavviso - Specifications may change without notice

MOTORE DIESEL	DIESEL ENGINE	
Potenza	Power	CAT C4.4 - Stage IIIA - Tier 3 - 106 Kw (142 Hp) CAT C4.4 - Stage V - Tier 4 F - 110 Kw (148 Hp)
ANTENNA	MAST	
Corsa testa di rotazione	Rotary head stroke	3700-4500 mm (12-14,8 ft)
Tiro	Pull-up	10000 daN (22480 lbf)
Spinta	Pull-down	6800 daN (15287 lbf)
TESTA ROTANTE	ROTARY HEAD	
Coppia max.	Max. torque	1800 daNm (13276 ft lbf)
Velocità max.	Max. speed	1000 rpm
MORSA	CLAMP	
Diametro	Diameter	60-355 mm (2,3"-14")
PESO	WEIGHT	~9400 Kg (~20723 lbf)

XL 140

Powerful,
Flexible



MULTIDRILL XL 140

Powerful, Compact, Flexible.



ACCESSORI - ACCESSORIES

Verricello	Main Winch	3600 daN 35 mt/min - (8093 lbf - 115 ft/min)
Verricello wire line	Wire line winch	1000 daN 100 mt/min - (2248 lbf - 328 ft/min)
Pompa Triplex	Pompa Triplex	160 lt/min - 70 bar - (43 gpm - 1015 psi)
Pompa monovite	Screw pump	600 lt/min - 12 bar - (159 gpm - 174 psi)
Pompa schiuma	Foam pump	34 lt/min - 38 bar - (9 gpm - 550 psi)
Lubrificatore di linea	Line lubricator	8,5 lt/min (2,25 gpm)
SPT idraulico	Hydraulic SPT device	760 mm - 63,5 daN - (30" - 142 lbf)

ALTRI OPTIONAL DISPONIBILI A RICHIESTA - OTHER OPTIONALS ARE AVAILABLE ON REQUEST

