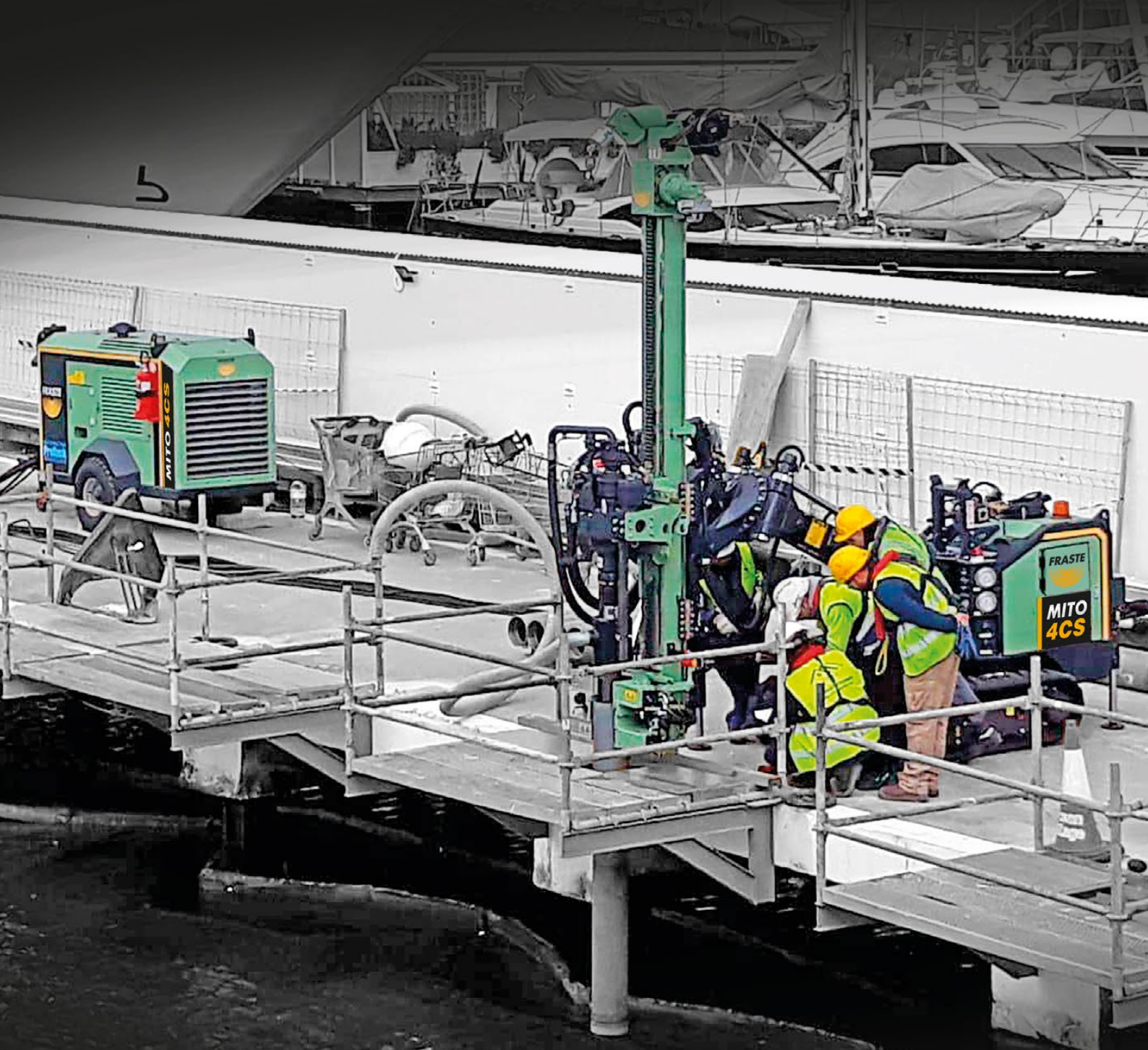
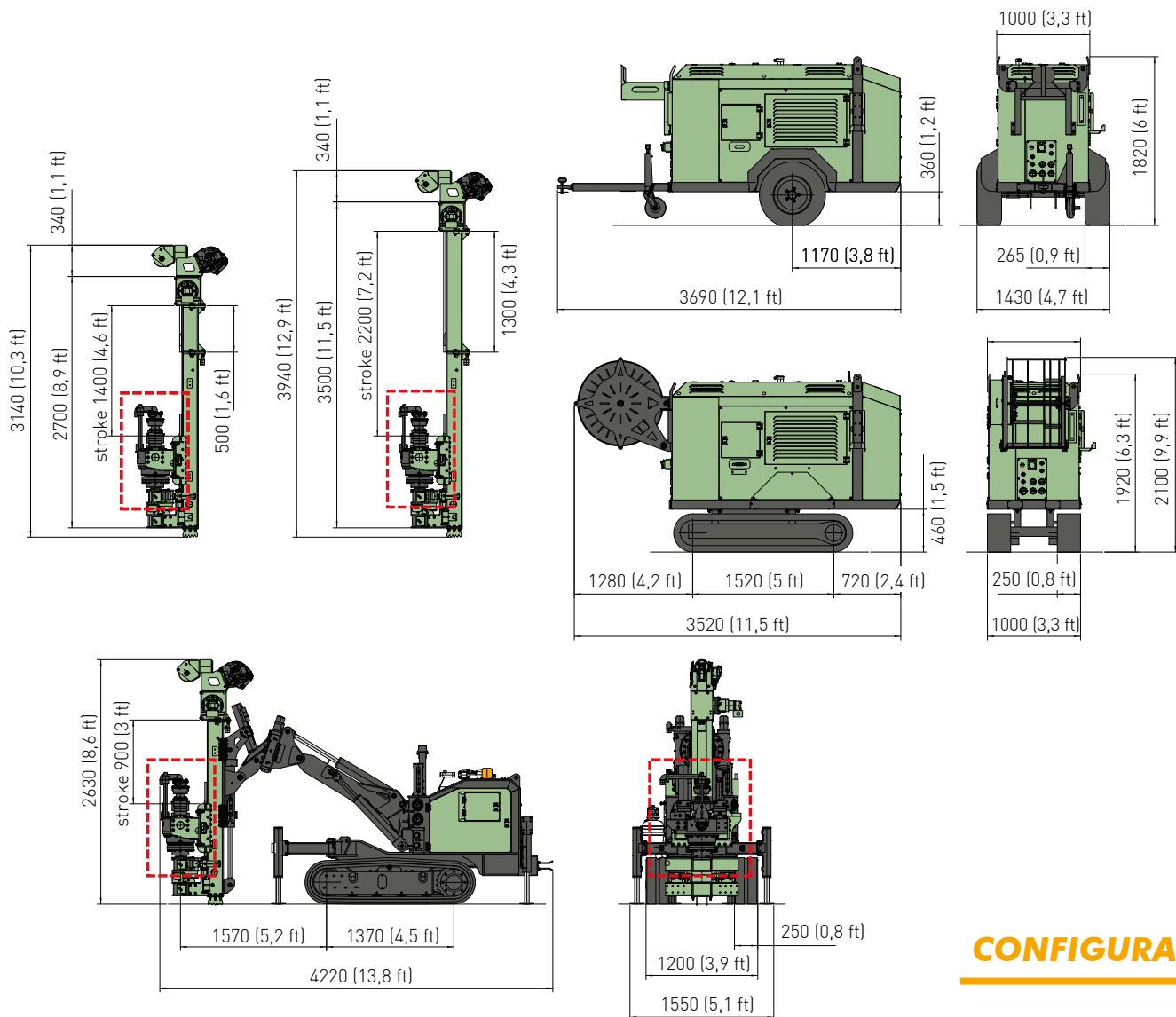


# MITO 4CS

Multipurpose **Drilling Rig**



**ITALIAN** DRILLING RIGS  
MANUFACTURERS SINCE 1964



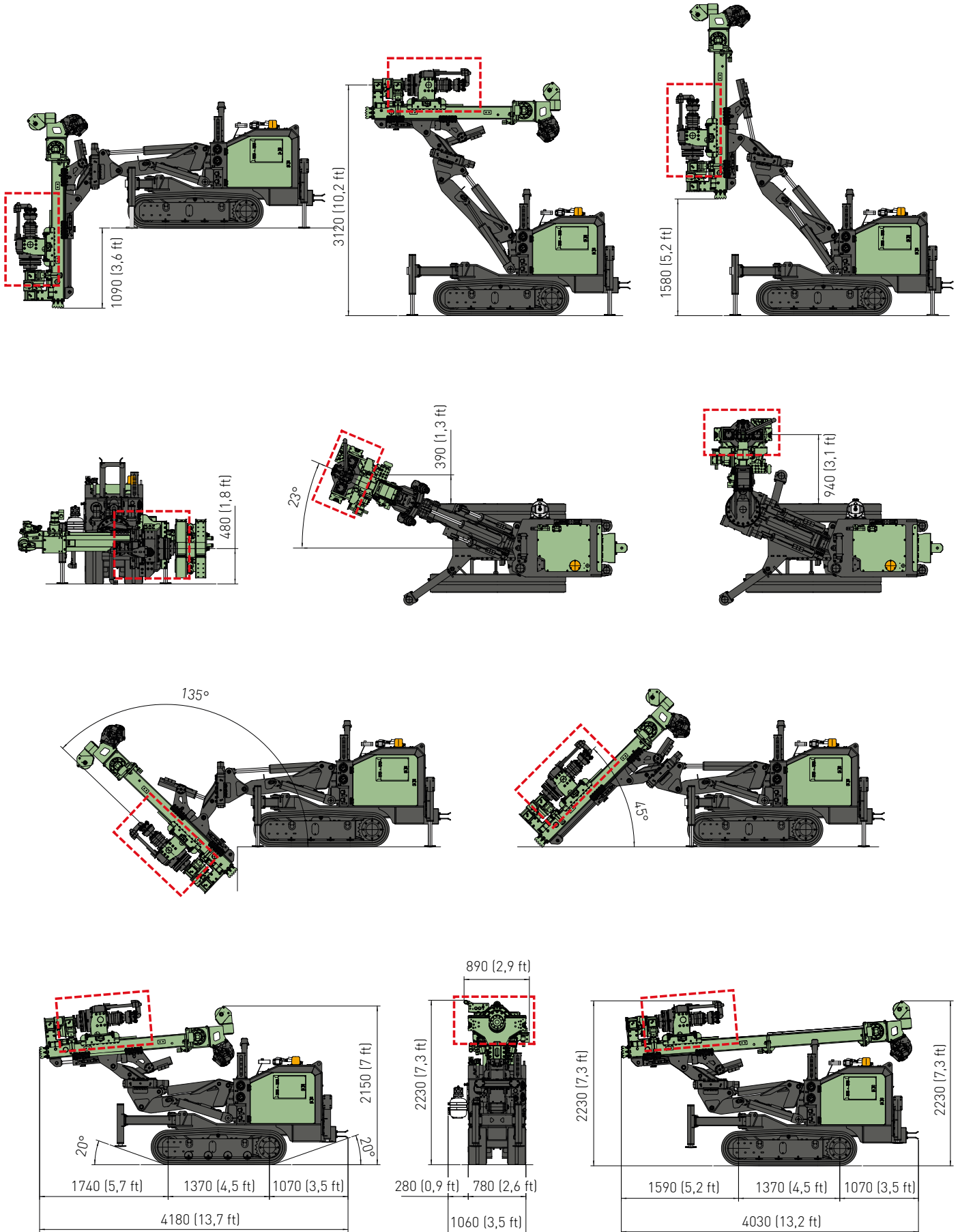
## CONFIGURATION

MOTORE DIESEL	DIESEL ENGINE	
Potenza	Power	<b>CAT C3.6 - Stage V - Tier 4F - 90 Kw (120,6 Hp)</b> <b>KUBOTA V3800 - Stage IIIA - Tier 3 - 74 Kw (100 Hp)</b>
Capacità serbatoio gasolio	Fuel tank capacity	<b>90 l (23 gal)</b>
Capacità serbatoio olio idraulico	Oil tank capacity	<b>230 l (60 gal)</b>
ANTENNA	MAST	
Corsa testa di rotazione	Rotary head stroke	<b>900-1400-2200 mm / (2,9- 4,6-7,2 ft)</b>
Tiro nominale	Nominal Pull-up force	<b>5000 daN (11240 lbf)</b>
Spinta nominale	Nominal Pull-down force	<b>5000 daN (11240 lbf)</b>
TESTA ROTANTI	ROTARY HEADS	
Coppia max.	Max. torque	<b>1180 daNm (8700 lbf*ft)</b>
Velocità max.	Max. speed	<b>1220 rpm</b>
MORSE	CLAMP AND BREAKER	
Diametro	Diameter	<b>40-250 mm (1,6"-9,8")</b>
PESO	WEIGHT	<b>~4300+2100 Kg (~9500+4600 lbf)</b>



# MITO 4CS

Innovation  
& Versatility.



# MITO 4CS

**Innovation, Power, Versatility.**



## ACCESSORI - ACCESSORIES

Martello idraulico	Hydraulic drifter	
Pompa triplex	Triplex pump	160 l/min - 48 bar / (42 gpm - 696 PSI)
Pompa schiuma	Foam pump	34 l/min - 38 bar / (9 gpm - 550 PSI)
Pompa lavaggio	Washing pump	15 l/min - 200 bar / (4 gpm - 2900 PSI)
Lubrificatore di linea	Line lubricator	8,5 l/min - (2,25 gpm)

ALTRI OPTIONAL DISPONIBILI A RICHIESTA - OTHER OPTIONALS ARE AVAILABLE ON REQUEST

Also available

**HYBRID SYSTEM**

SELF CHARGING HYBRID SYSTEM - for rig moving.  
ELECTRIC MOTOR 8 Kw - 48 V  
Rechargeable lithium batteries.

ELECTRIC configuration



**FULL ELECTRIC SYSTEM**

ELECTRIC POWER  
ELECTRIC MOTOR - 400 V - 50Hz THREE-PHASE



I dati esposti sul presente catalogo possono variare senza preavviso - Specifications may change without notice

